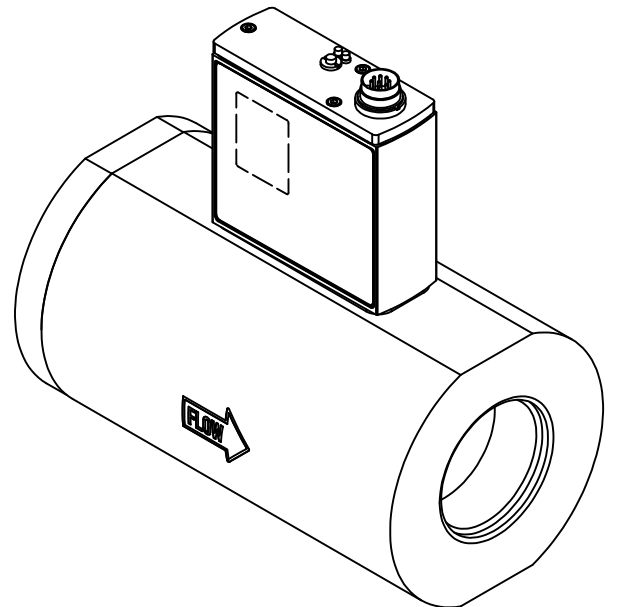
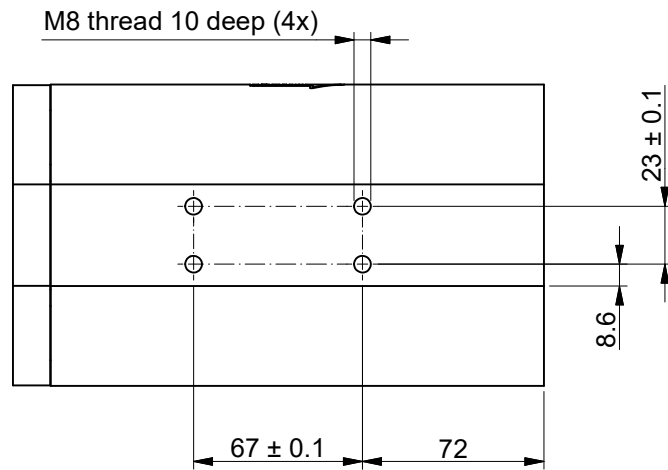
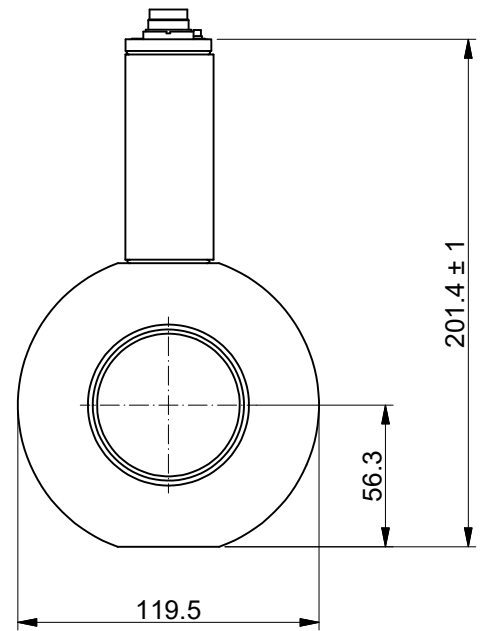

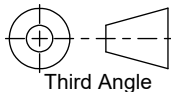


* (2" BSPP on request available)



Check document 7.05.971 for the dimensions of the digital cases.
Dimensions subject to change without notice.

Tolerances ± 0.2 unless otherwise mentioned

Title: Dimensional drawing MASS-STREAM™ D-6390		Drawer : R.Ge. Date: 27-09-2017	Revision Description: G1"->G2"	
 WWW.BRONKHORST.COM	Projection:  Third Angle	Checked : R.M./J.G. Date: 19-02-2019	Rev. by: J.W.	Scale: 1:3
	Dimensions: Metric (mm)	Drawing no.: 7.05.994	Rev.: B	Page: 1-1