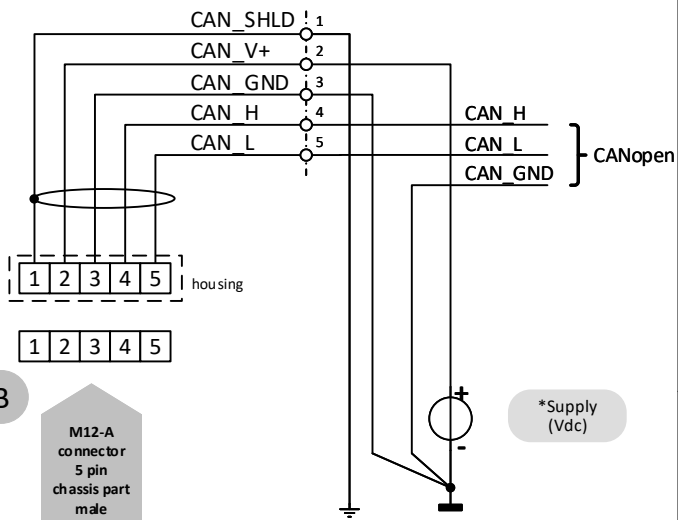


CANopen connection



B
M12-A connector
5 pin
chassis part
male

*Supply
(Vdc)

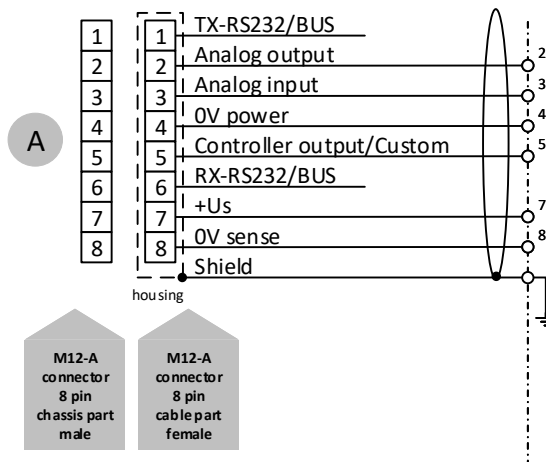
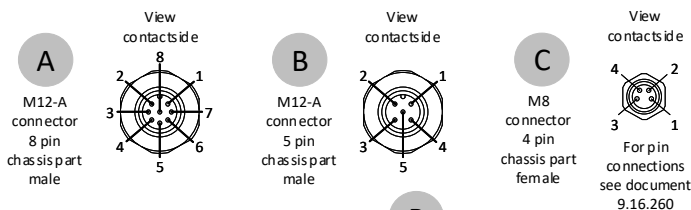
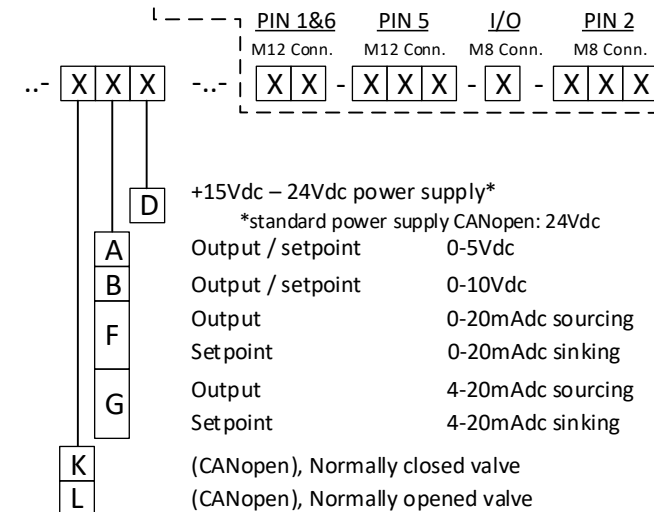
POWER SUPPLY WARNING



Do not power the instrument simultaneously from two different power sources (e.g. bus connection and Plug-in Power Supply). Doing so will damage the printed circuit board irreparably.

Model key explanation

For other explanation see document 9.16.260



A
M12-A connector
8 pin
chassis part
male

B
M12-A connector
8 pin
cable part
female

Note:
When using a field bus or RS-232, it is not possible to operate the instrument by using the setpoint signal of the analog M12 connector without changing the value of parameter "control mode".
See instrument manual for more details.
Do not connect an external valve to instruments, set as meter.

Note:
Powering a single instrument is possible by the M12 connector.
Please consult 9.16.254 for a connection diagram.